

EL-DRIVER TECHNOLOGIES

for

ELECTROLUMINESCENT- LAMPS



List of Contents

- 1. CHARACTERISTICS OF EL-LAMPS----- 3**
 - 1.1. Capacity of an EL-lamp ----- 3
 - 1.2. What's the appearance of the replace control circuit of an EL-lamp?----- 4
 - 1.3. How can the EL-cristals be stimulated?----- 5
 - 1.4. Requirements of operation voltages ----- 5
 - 1.5. The mentioned characteristics of the EL-lamp lead to following conclusions for EL-drivers:----- 6

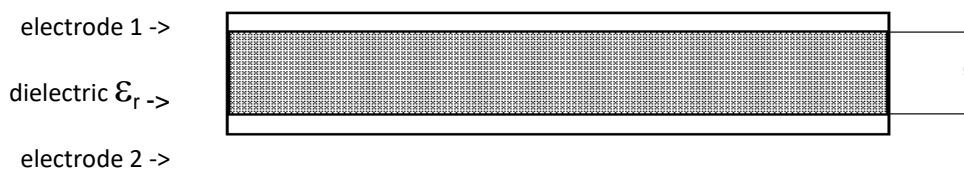
- 2. EL-INVERTER- RESP. EL-DRIVER-TECHNOLOGIES ----- 7**
 - 2.1. Self swinger----- 7
 - 2.1.1. Self swinger circuit ----- 7
 - 2.1.2. Specifications E040 601X ----- 8
 - 2.2. PWM - Inverter ----- 9

- 4. DEFINITIONS----- 10**

1. Characteristics of EL-Lamps

1.1. Capacity of an EL-lamp

The EL-lamp is actually a light capacitor. For this reason the term "LEC" (Light-Emitting-Capacitor) would be more suitable analogous to the term "LED" (Light-Emitting-Diode). From the point of view of the supply we are mainly concerned with a capacitive load, precisely with a disk capacitor. The disk capacitor has the following structure:



Between the two electrodes 1 and 2 with the distance s there is the so-called dielectric with a permeability number ϵ_r . The unity for the capacity of the capacitor is Farad. We define the capacitor "C" with the following formula:

$$C = \epsilon_0 \times \epsilon_r \times A / s$$

The units have the following meaning as written below:

ϵ_0 is the electric field constant with the quantity $8,85 \times 10^{-12} \text{As/Vm}$

ϵ_r is the permeability number which is determined by the material between the electrodes

A is the real capacitor surface

s is the distance between the two electrodes

How can you influence the capacity when you produce an EL-lamp?

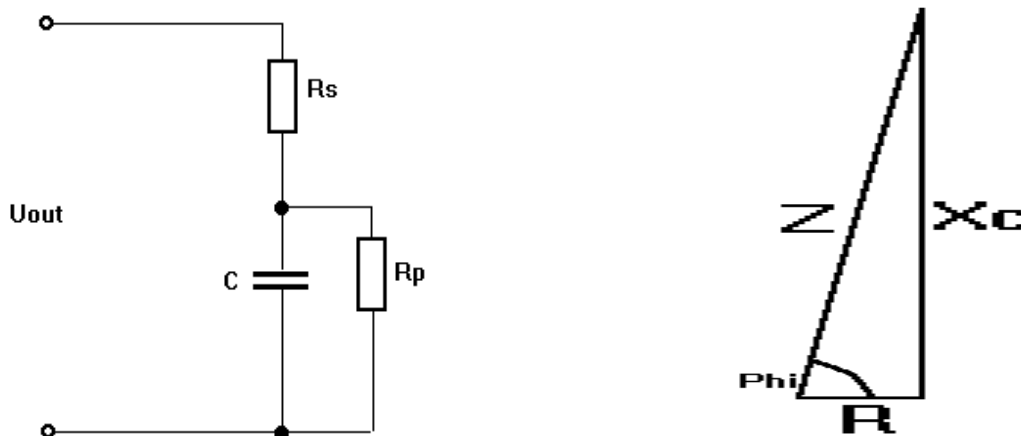
Capacity index of an EL-lamp:

C_{passive} 0,2 - 0,5 nF/cm² i.e. measured with a C-measuring instrument
(approx. 0,5V at approx. 800Hz)

C_{active} 0,3 - 0,6 nF/cm² i.e. measured while operating
(e.g. 110V 400Hz)

1.2. What's the appearance of the replace control circuit of an EL-lamp?

Apart of the capacity representing a dominant quantity, the two resistances R_s and R_p are also important.



The series resistance R_s is determined by transmission resistance, transition resistance of the connections, electrode resistance and light emission. The values are around 100kOhm x cm².

The parallel resistance R_p has in fact more than 100MOhm which is very much, but it is still small enough to enable the capacitor to discharge after switching off.

The capacitive blind resistance depends on the frequency and has the following formula: $X_c = 1/2 \times \pi \times f \times C$.

1.3. How can the EL-crystals be stimulated?

In principle the EL-lamp emits light in dependence of the electrical current. The current however can only flow by changing the voltage at the electrodes. Therefore an EL-system can only be operated with alternative voltage.

The current is influenced by two parameters. On the one hand by the amplitude of the voltage and on the other hand by the frequency of the change of polarity in function of time, i.e. the frequency of supply voltage.

A big advantage of EL-lamps are the short reaction times. The delay in switching on of the light emission is neglectible with the EL-systems of nowadays and the delay in switching off is about 100µs. Because of that the useful maximum frequency is about 3000Hz. Exceeding this frequency the efficiency decreases extremely due to overstimulation.

The luminosity of EL-lamps is specified in luminous intensity [cd/m²].

1.4. Requirements of operation voltages

EL-lamps being produced with the paste of Du Pont, so-called EL-thick-coat-systems start emitting the crystals at about 20VAC. Not until this voltage, a field power is reached which stimulates the electrons enough and therefore releases a light emission.

The maximum voltage depends on the construction of the EL-lamp. At high-voltage systems up to 200Veff can be set up.

1.5. The mentioned characteristics of the EL-lamp lead to following conclusions for drivers:

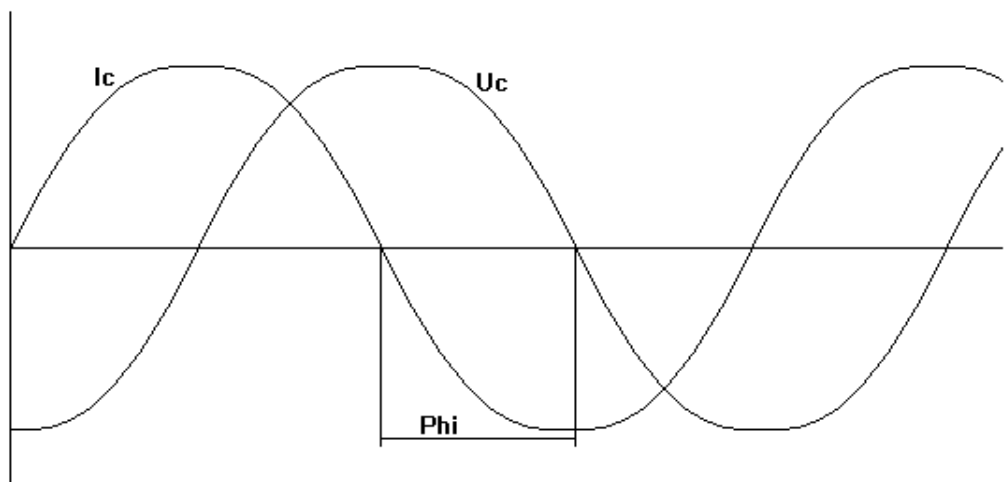
EL-

1. At a defined EL-system the quantity of the capacity depends on the illumination surface. With it the driver load is proportionally to the illumination surface.
2. Several lamps can be connected at the same supply. The entire capacity is the total sum of all single capacities.
3. At a serial circuit a voltage distribution occurs in opposite proportion to single capacities. Normally this kind of operation is only used for special cases.
4. A phase angle between 80° and 87° results from the dominant influence of the capacity in proportion to the resistances R_s and R_p . Because of that there flows practically only reactive current and there is no heat in the EL-lamp.
5. Efficient operating frequencies are between 200 and 3000Hz.
6. The sector of operation voltage of an EL-lamp extends to 20 up to 150VAC.

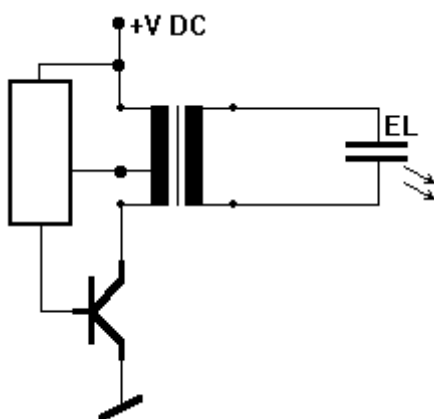
2. EL-Inverter- resp. EL-Driver-Technologies

2.1. Self swinger

At an adapted EL-lamp the self swinger has got a similar current to sine, preceding the voltage by almost 90°. EL-drivers ELD-40 are based on this circuit technique.



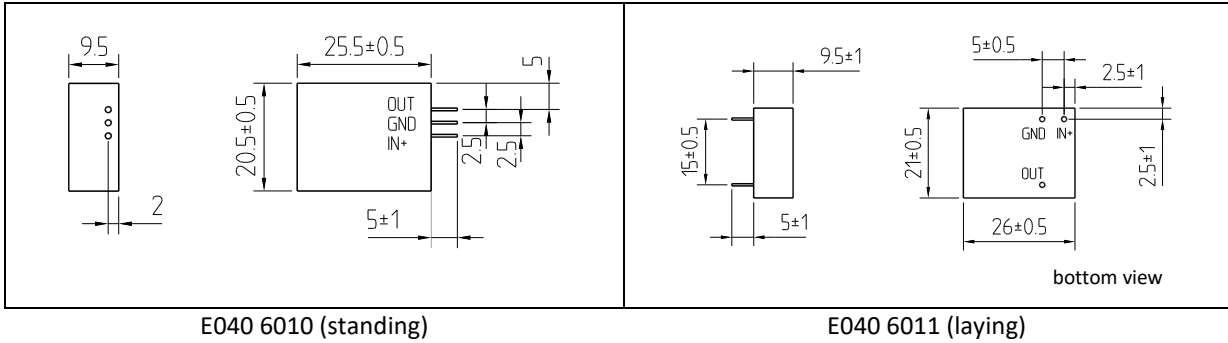
2.1.1. Self swinger circuit



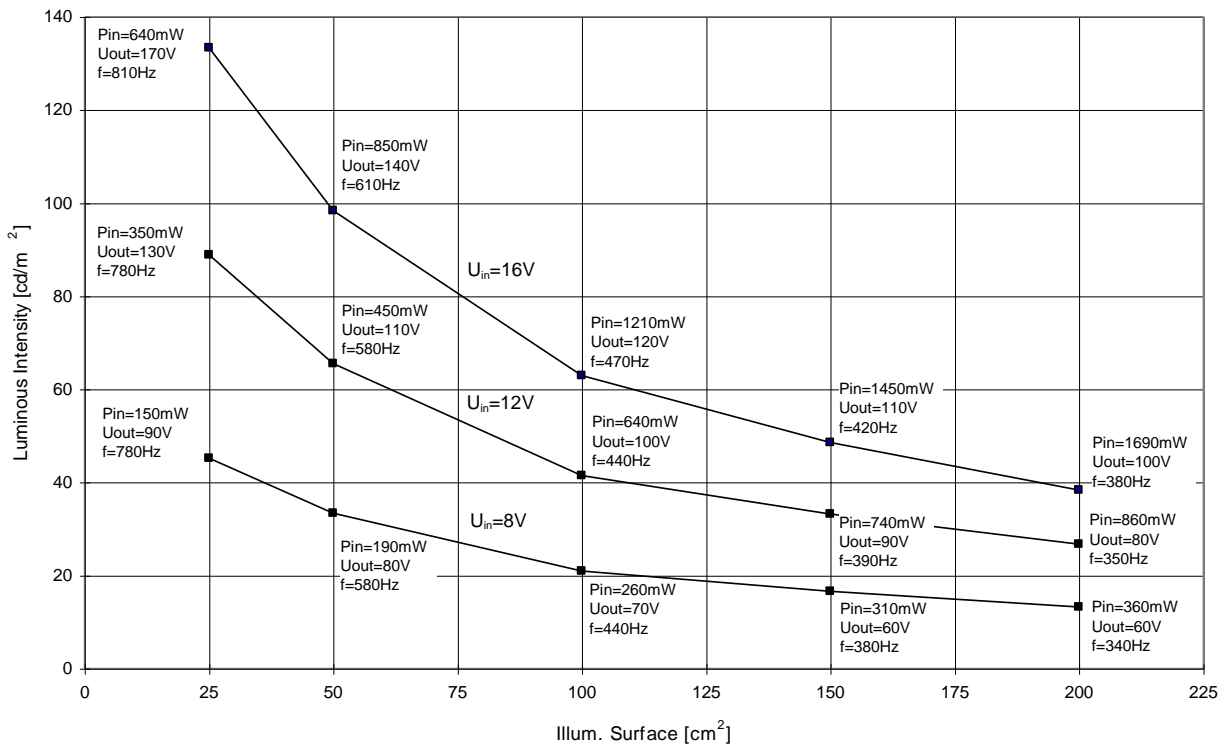
- Efficiency on average
- Cost-effective
- EMC good
- Frequency and voltage are fix, not dimmable and extremely dependent on load.
- Parallel operation for increasing power is possible.¹
- Redundant operation to increase the failure safety is possible.

¹ Dependent on manufacturer

2.1.2. Specifications E040 601X



Nominal input	12VDC	Max. illum. surface	200cm ²
Typ. output	140VAC	Storage temperature	-30 °C - +80 °C
Typ. frequency	400Hz	Operating temperature	-10 °C - +70 °C



The values on the above diagram are based on the following EL-datas:

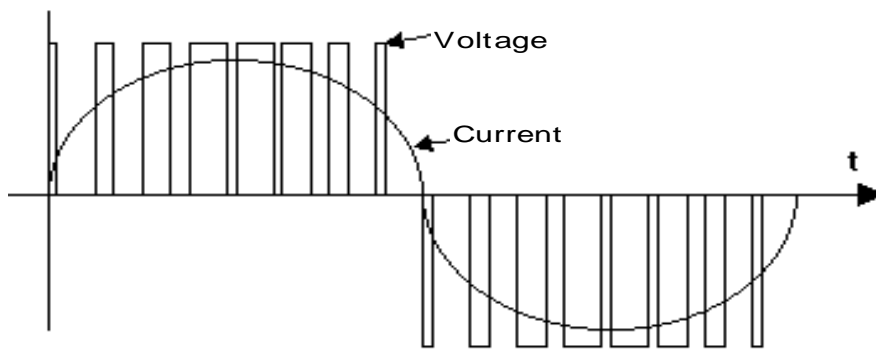
ELF 2006	Colour	green-blue
	Emission max.	500nm
	C passive	0.25 nF/cm ²
	C active	0.39 nF/cm ² @ 100V 400Hz

Attention: Running on the spot or short circuit can damage the EL-Driver!

Subject to change

2.2. PWM - Inverter

The meaning of PWM is **Pulse-Wide-Modulation**. With this way of circuit any EL-lamp can be driven with an accurately definite frequency. An ideal harmonic current curve is caused for the EL-lamp.



4. Definitions

Nominal Supply Conditions

All the values of the parameters of the current supply, from which the nominal characteristics are derived and where the lamp produces the nominal output.

The parameters, where the values are specified in the product norm, are as follows:

- Nominal voltage [V eff]
- Nominal frequency [Hz]
- Form of signals

Nominal Current Intensity [A]

Effective alternative current, which is absorbed from the lamp under nominal supply conditions.

Nominal Current Intensity related to Surfaces [A/m²]

Effective alternative current which is absorbed from the surface unity of the lamp under nominal supply conditions.

Power Factor

Cosine of the angle of phase displacement at sine wave supply between the absorbed current and the regulated tension under nominal supply conditions.

Apparent Nominal Power [VA]

Product from nominal tension and nominal current intensity.

Apparent Nominal Power related to Surfaces [VA/m²]

Product from nominal tension and nominal current intensity relating to the surface.

Nominal Luminance [cd/m²]

Luminance of the electroluminescence lamp under nominal supply conditions.

Useful Luminance [cd/m²]

Value of the luminance according to the specific application conditions.

Half-Life [h]

Number of operation hours under nominal supply conditions to reach half of the value of nominal luminance.

Useful Life [h]

Number of operation hours during which the electroluminescence lamp at nominal frequency supplied with nominal tension (not exceeding nominal tension) can be hold on the value of useful luminance.

Emission Spectrum

Representation of the energetic allocation as function of the wavelength which has been emitted by the electroluminescence lamp under nominal supply conditions.

Luminance-Constancy [%]

Luminance fluctuations related to the nominal value of the illuminated surface of the electroluminescence lamp under nominal supply conditions.

Lead Wavelength [nm]

Wavelength of the energetic emission-maximum of the electroluminescence lamp under nominal supply conditions.

Leading Wavelength [nm]

Wavelength of the monochromatic radiation of the same colour as the illuminated surface of the electroluminescence lamp under nominal supply conditions.

Chromatic Coordinates

Chromatic coordinates (x, y or u', v'), fixed in the chromatic spectrogramme C.I.E. 1931 (standard observer 2⁰ or CIE 1976), of the electroluminescence lamp under nominal supply conditions.

Energetic Luminance [W/m²/sr]

Energy which is radiated from the electroluminescence lamp under nominal supply conditions.

Luminous Power [lm/W]

Light flow emitted by the electroluminescence lamp under nominal supply conditions related to the active absorbed efficient power.

Efficiency [cd/VA]

Quotient of the luminance under effective illumination surface divided by the apparent power.

Capacity [F]

Capacity of the electroluminescence lamp under nominal supply conditions.

Capacity related to Surfaces [F/m²]

Capacity per unit of illumination surface of the electroluminescence lamp under nominal supply conditions.

Width of Margins [mm]

Dimensions of the non-luminous external limits of the electroluminescent lamp.

Minimal Curve Radius [mm]

Smallest radius which can be accepted by a flexible electroluminescent-lamp without deterioration of its power.

Looks

The way of presentation of an electroluminescent lamp at visual inspection.

Visible Faults

Visible defects, especially in the luminous surface which can affect the performance.